

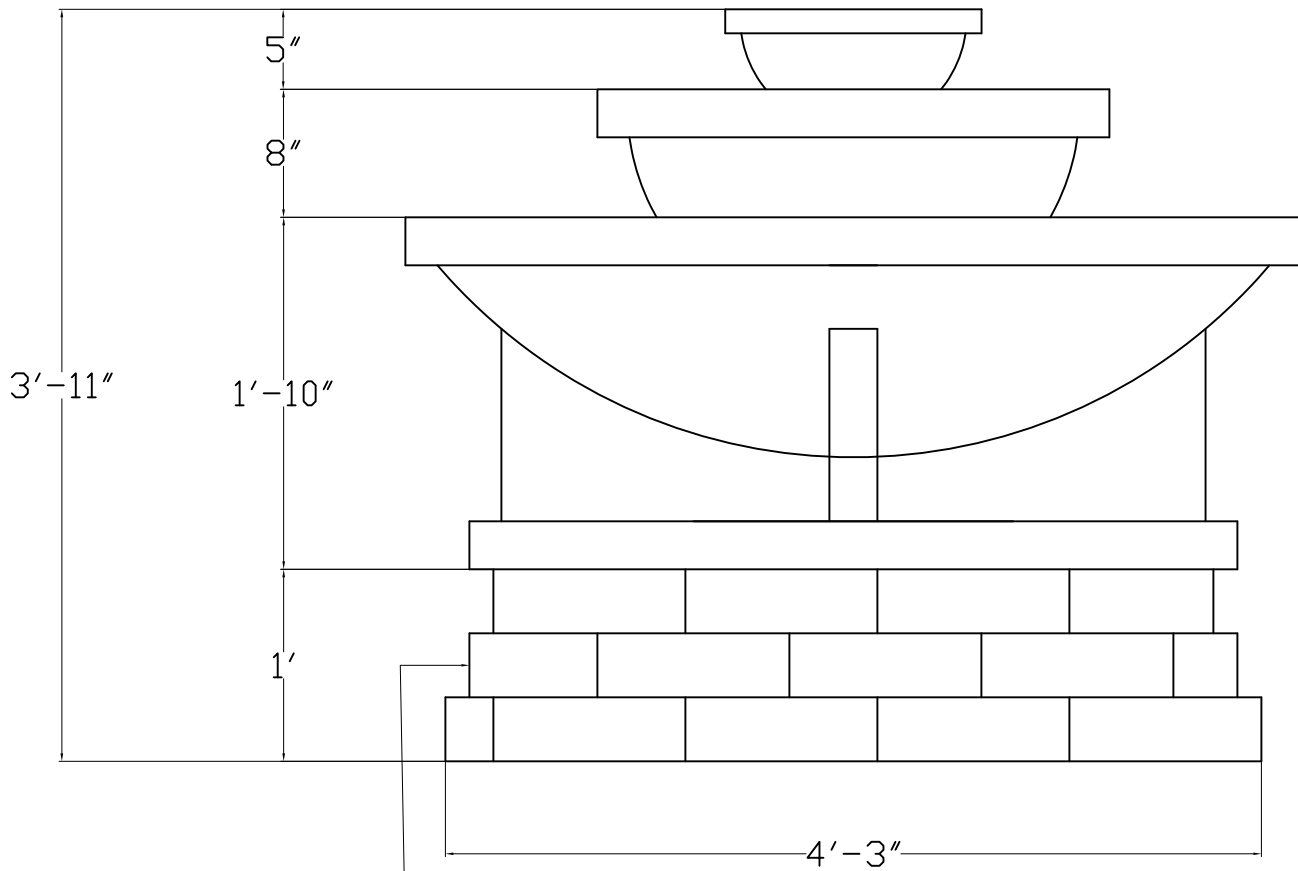
TRI-STONE INC.

PHONE-(262)279-6910

FAX-(262)279-6926

Pc. # FT A3561

1" = 1' 8/25/10



Optional Rock Faced  
Stone Base