

ADDRESS STONE ORDER FORM

Bill to:		
P.O.#:	Date:	

Address to be inscribed

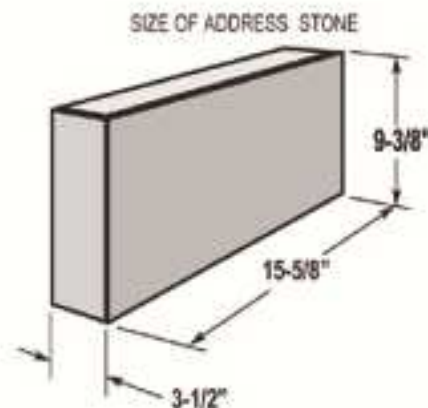
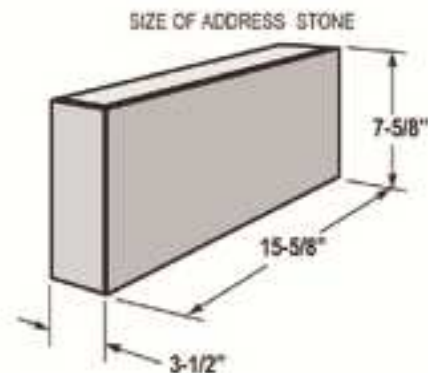
Pick-up

Ship To:

Misc. Information:

STYLE OF ADDRESS STONE


A	BEVELED EDGES Font Height: 5"
	3-1/2" x 7-5/8" x 15-5/8"
	3-1/2" x 9-3/8" x 15-5/8"
B	BEVELED EDGES with INVERSE BORDER Font Height: 4-1/2"
	3-1/2" x 7-5/8" x 15-5/8"
	3-1/2" x 9-3/8" x 15-5/8"
C	RECESSED Font Height: 4"
	3-1/2" x 7-5/8" x 15-5/8"
	3-1/2" x 9-3/8" x 15-5/8"
D	DOUBLE RECESSED Font Height: 3-1/2"
	3-1/2" x 7-5/8" x 15-5/8"



2" -version for thin veneer

TYPE FONT FOR ADDRESS STONE

COLOR OF CAST STONE

<i>Aldine 721 BT Italic</i>	1234567890	 TS-130 Natural
New Gothic Bold	1234567890	
Times New Roman	1234567890	
<i>Tarry LT IT</i>	1234567890	



Place your order by phone or email:

(262) 279-6910 info@tri-stone.net

www.tri-stoneinc.com